

Features

- ◇ Compact structure and easy to install, optional pressure switch.
- ◇ Nozzle and body are made of metal, ensuring long lifetime.
- ◇ Standard item is equipped with silencer to minimize noise.
Easy to install and maintain with connection thread.



Applications

- ◇ Suitable for occasions where vacuum is required for each station in fast operation.
- ◇ Handling of electronic components and small parts.
- ◇ Various specifications to meet different operation requirements.

How to order

ACV - 05 HS CK

① ② ③ ④

① Series	② Nozzle diameter	③ Specification	④ Pressure switch
ACV	05 - φ0.5mm 10 - φ1.0mm 15 - φ1.5mm 20 - φ2.0mm 25 - φ2.5mm 30 - φ3.0mm	HS - High vacuum level type (-87kPa) LS - Large vacuum flow type (-57kPa)	Nil - Without pressure switch CK - With adjustable pressure switch C - With unadjustable pressure switch

Selection

Model	HS			LS		
	Without pressure switch	CK	C	Without pressure switch	CK	C
ACV05	●	●	○	●	●	○
ACV10	●	●	○	●	●	○
ACV15	●	●	○	●	●	○
ACV20	●	●	○	●	●	○
ACV25	●	○	○	○	○	○
ACV30	●	○	○	○	○	○

◇ Note: "●"- default , in stock. "○"-selective,no stock.

AZK

AGS

AGL

AGB

AGP

AGX

AMC

AEVC

ALS

AZR

ABM/ABX

ABM/ABX
Combined type

ASM/ASX

ASM/ASX
Combined type

AM/AL/AH

AM/AL/AH
Combined type

AZL

ACP

ACPF

ACPS

ACV

AQV

AZH

AZU

ASBP

Technical parameters

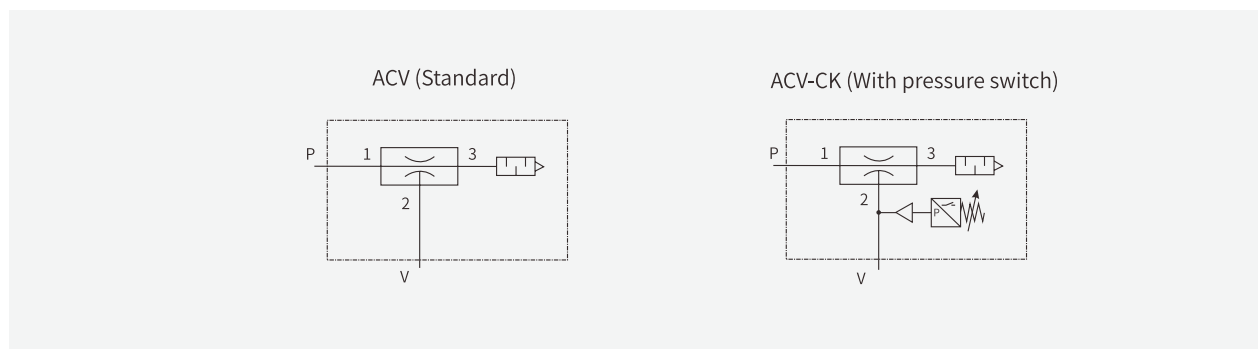
Model	Nozzle diameter (mm)	Air supply pressure (bar)	Max. vacuua level (-kPa)	Max. Vacuum flow (NL/min)	Air consumption (NL/min)	Noise level (dB(A))	Weight(g)			Recommended hose dia.(mm)	
							Without switch	K	C	Air supply(P)	Vacuum(V)
ACV05HS	0.5	5.0	87	7	13	68	80	120	95	8	8
ACV10HS	1.0	5.0	90	27	44	68	80	120	95	8	8
ACV15HS	1.5	5.0	90	63	100	72	140	190	165	8	8
ACV20HS	2.0	5.0	90	110	180	72	350	460	435	8	10
ACV25HS	2.5	5.0	90	160	265	75	730	700	675	10	12
ACV30HS	3.0	5.0	90	225	385	75	870	846	821	10	12
ACV05LS	0.5	5.0	57	10	13	68	75	115	90	8	8
ACV10LS	1.0	5.0	57	36	44	68	75	115	90	8	8
ACV15LS	1.5	5.0	57	95	100	72	135	180	155	8	8
ACV20LS	2.0	5.0	57	170	180	72	330	440	415	8	10
ACV25LS	2.5	5.0	57	250	265	75	710	680	655	10	12
ACV30LS	3.0	5.0	57	350	385	75	840	816	781	10	12

◇Note: Pressure range1-6bar, standard pressure 5bar. Fluid and ambient temperature 0-60°C.

Pressure switch specification

Model	ACV-CK (Adjustable pressure switch)	ACV-C (Unadjustable pressure switch)
Fluid	Air	Air
Set pressure range (-kPa)	20~53	50
Ambient temperature	0~60°C (Non-freezing)	0~60°C (Non-freezing)
Operating accuracy (-kPa)	±5.3	±5
Hysteresis (-kPa)	4.0~13.3	-
Operating voltage (V)	DC24V below	DC24V below
Load current (A)	0.2	0.2
Effective length of lead wire (m)	0.7	0.7

Symbol

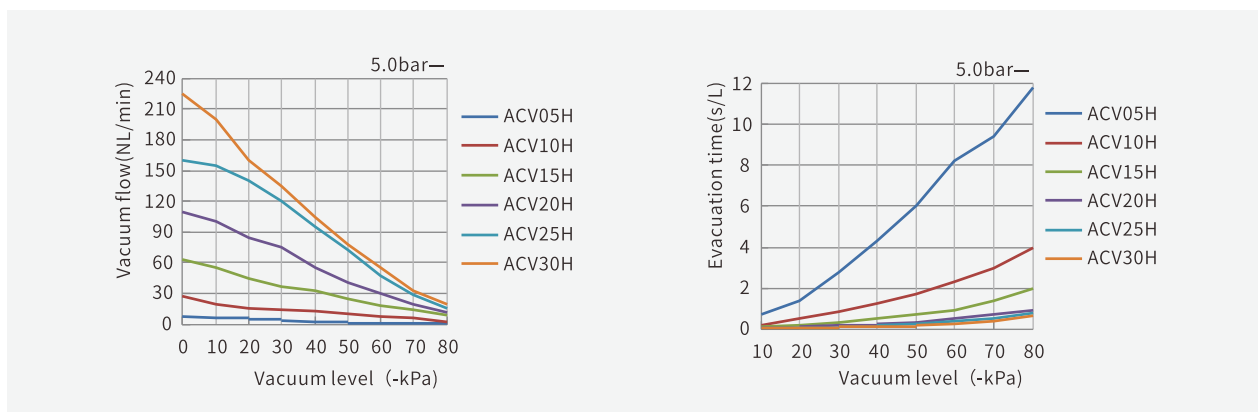


Vacuum flow(NL/min) at different vacuum levels(-kPa)

Model	Air supply pressure (bar)	Air consumption (NL/min)	0	10	20	30	40	50	60	70	80	Max. vacuum level (-kPa)
ACV05HS	5.0	13	7	5.5	4.2	3	1.5	0.8	0.5	0.2	0.05	87
ACV10HS	5.0	44	27	19	16	14.5	13	10.5	8	6.5	2.5	90
ACV15HS	5.0	100	63	55	44	37	32.5	25	18	14	9	90
ACV20HS	5.0	180	110	100	85	75	55	40.5	30	20	12	90
ACV25HS	5.0	265	160	155	140	120	95	72	47	28	15	90
ACV30HS	5.0	385	225	200	160	135	105	78	55	33	19	90

Evacuation time (s/L) to reach different vacuum levels (-kPa)

Model	Air supply pressure (bar)	Air consumption (NL/min)	10	20	30	40	50	60	70	80	Max. vacuum level (-kPa)
ACV05HS	5.0	13	0.68	1.38	2.77	4.32	6.02	8.25	9.44	11.82	87
ACV10HS	5.0	44	0.20	0.49	0.82	1.25	1.74	2.32	2.95	4.00	90
ACV15HS	5.0	100	0.08	0.19	0.32	0.48	0.69	0.92	1.38	1.95	90
ACV20HS	5.0	180	0.04	0.10	0.17	0.23	0.34	0.49	0.71	0.92	90
ACV25HS	5.0	265	0.03	0.07	0.11	0.17	0.24	0.35	0.49	0.75	90
ACV30HS	5.0	385	0.03	0.06	0.09	0.14	0.20	0.27	0.41	0.63	90



Vacuum flow(NL/min) at different vacuum levels(-kPa)

Model	Air supply pressure (bar)	Air consumption (NL/min)	0	10	20	30	40	50	55	Max. vacuum level (-kPa)
ACV05LS	5.0	13	10	9	8	6.5	2.5	1.8	0.7	57
ACV10LS	5.0	44	36	31.5	23.5	16.5	10	6.5	2.5	57
ACV15LS	5.0	100	95	85	70	47.5	30.5	15.5	5.5	57
ACV20LS	5.0	180	170	125	115	95	70	35.5	7.5	57
ACV25LS	5.0	265	250	215	200	150	105	60	36	57
ACV30LS	5.0	385	350	295	267	215	150	85	41	57

AZK

AGS

AGL

AGB

AGP

AGX

AMC

AEVC

ALS

AZR

ABM/ABX

ABM/ABX
Combined type

ASM/ASX

ASM/ASX
Combined type

AM/AL/AH

AM/AL/AH
Combined type

AZL

ACP

ACPF

ACPS

ACV

AQV

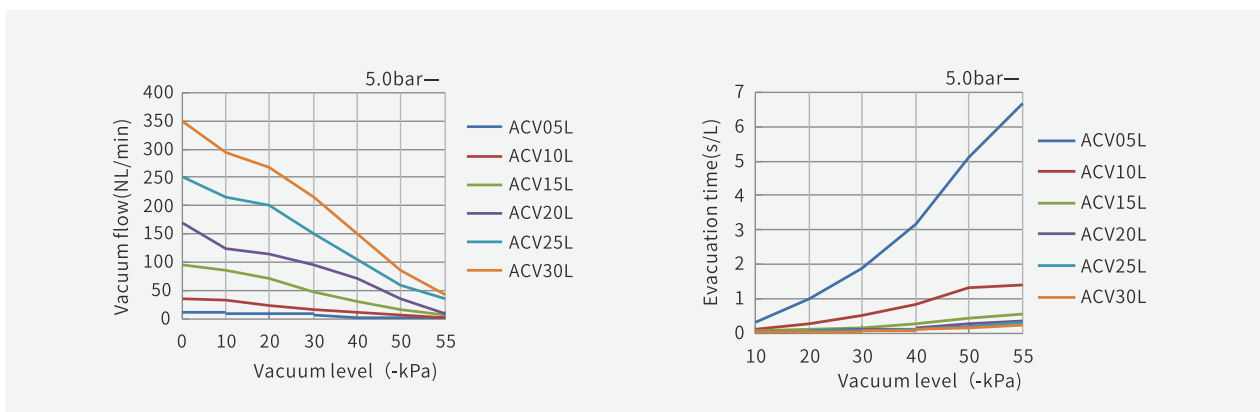
AZH

AZU

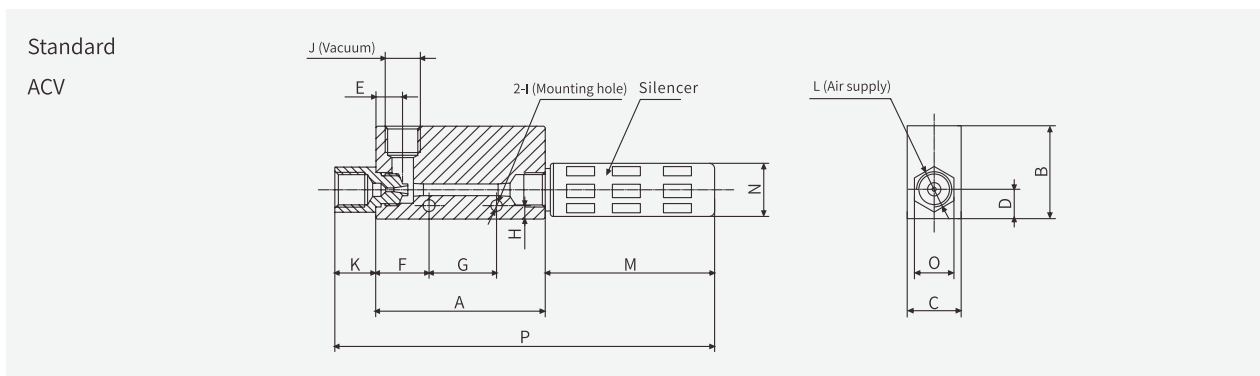
ASBP

Evacuation time (s/L) to reach different vacuum levels (-kPa)

Model	Air supply pressure (bar)	Air consumption (NL/min)	10	20	30	40	50	55	Max. vacuum level (-kPa)
ACV05LS	5.0	13	0.31	0.98	1.89	3.17	5.12	6.7	57
ACV10LS	5.0	44	0.12	0.28	0.51	0.83	1.32	1.4	57
ACV15LS	5.0	100	0.45	0.10	0.15	0.26	0.42	0.56	57
ACV20LS	5.0	180	0.03	0.06	0.11	0.14	0.25	0.34	57
ACV25LS	5.0	265	0.02	0.05	0.08	0.12	0.18	0.3	57
ACV30LS	5.0	385	0.02	0.04	0.06	0.09	0.13	0.22	57



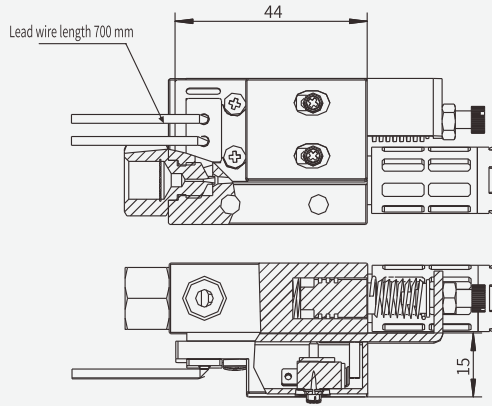
Dimensions (mm)



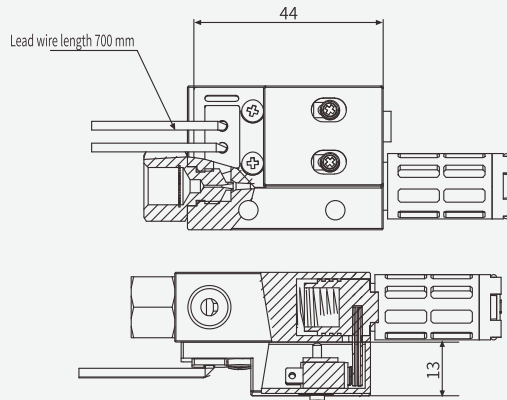
Model	A	B	C	D	E	F	G	H	I	J	K	L	M	N	O	P
ACV05	45	33	16	10	8	14	20	4.5	2-φ4.5	Rp1/8	10	Rp1/8	30	φ15	14	85
ACV10	45	33	16	10	8	14	20	4.5	2-φ4.5	Rp1/8	10	Rp1/8	30	φ15	14	85
ACV15	63	35	20	11	10	20	25	5	2-φ4.5	Rp1/4	15	Rp1/4	51	φ19	17	129
ACV20	85	40	30	15	13	28	32	7	2-φ6	Rp3/8	20	Rp1/4	56	φ28	24	161
ACV20CK	85	50	30	15	13	28	32	7	2-φ6	Rp3/8	20	Rp1/4	56	φ28	24	161
ACV25	100	60	40	20	16	20	50	5.5	2-φ6	Rc1/2	17	Rc3/8	119	φ40	27	236
ACV30	118	60	40	20	20	33	50	5.5	2-φ6	Rc3/4	20	Rc1/2	119	φ40	30	257

Dimensions (mm)

With adjustable pressure switch
ACV-CK



With unadjustable pressure switch
ACV-C



Repair kits

Model of silencer	Connection thread	Color	Applicable vacuum pump
ZSB-F-G1M	G1/8 Male thread	Blue	ACV05H,10H
ZSB-X-G1M	G1/8Male thread	Orange	ACV05L, 10L
ZSB-F-G2M	G1/4Male thread	Blue	ACV15H
ZSB-X-G2M	G1/4Male thread	Orange	ACV15L
ZSB-F-G4M	G1/2Male thread	Black	ACV20H
ZSB-X-G4M	G1/2Male thread	Black	ACV20L
ZSA-G6M	G3/4Male thread	Black	ACV25H /L,30H / L

◇ Note: The above silencers are standard .

AZK

AGS

AGL

AGB

AGP

AGX

AMC

AEVC

ALS

AZR

ABM/ABX

ABM/ABX
Combined type

ASM/ASX

ASM/ASX
Combined type

AM/AL/AH

AM/AL/AH
Combined type

AZL

ACP

ACPF

ACPS

ACV

AQV

AZH

AZU

ASBP